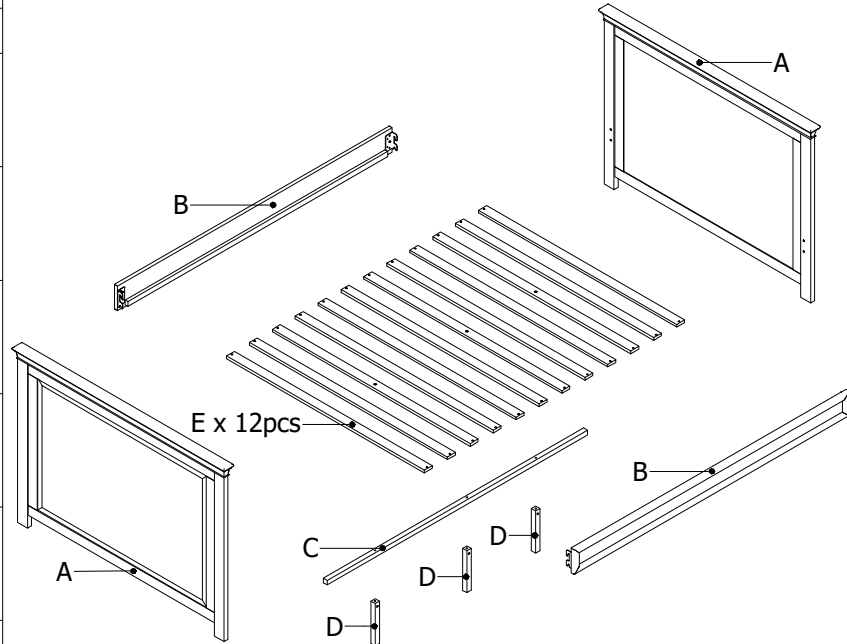


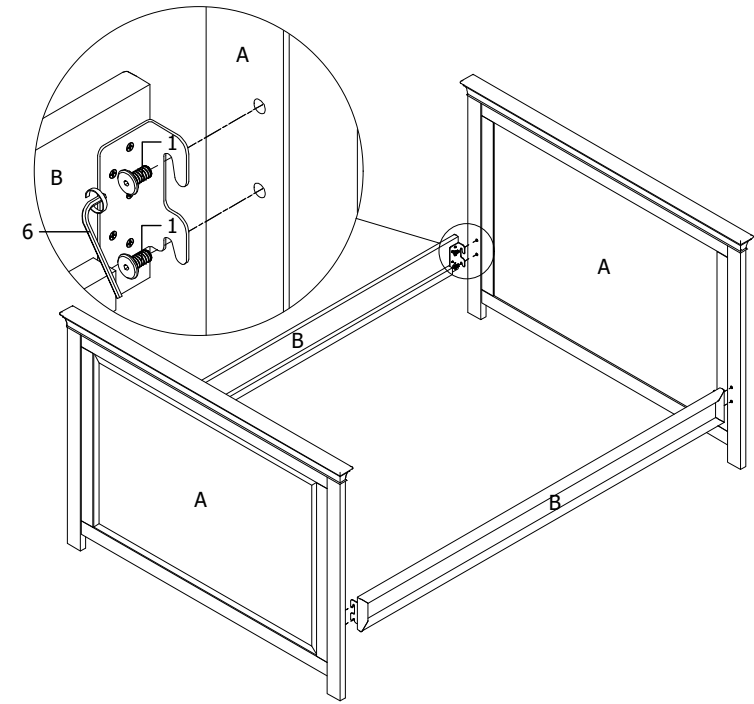
ASSEMBLY INSTRUCTIONS

MODEL : CERI FULL DAYBED

NO	PART LIST	QTY
A	HEADBOARD/ FOOTBOARD	2
B	SIDE RAIL	2
C	CENTER SUPPORT	1
D	CENTER LEG	3
E	SLAT	12

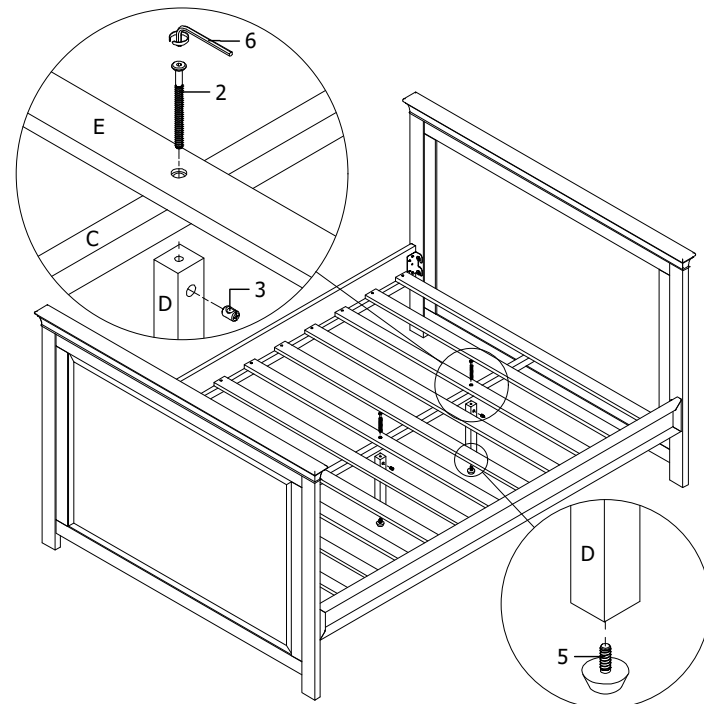


STEP 1



NO	HARDWARE LIST	QTY
1	JCBB M8 x 16mm	8
2	JCBC M6 x 80mm	3
3	BARREL NUT M6	3
4	CSK M4 x 25mm	24
5	BASE GLIDE	3
6	ALLEN KEY M5	1

STEP 2



STEP 3

